

## Collator Style Autoloader

To align frankfurters, sausages, vienna sausages, snack sticks, pickles, and other products for packaging. Customized models enable flexible film, can, tray, box, and jar loading. Versatile modular heads offer quick changeover time for different packaging applications.

- Up to 1,800 pieces per minute\*
- Diameter range: 12mm to 32mm
- 98%+ fill rate
- Rapid changeover modular head
- Loads product with or without casing
- Touch screen controls
- Conforms to AMI sanitary equipment design principles
- CE approved
- Wave or Slimline model options available



\*Final output speed is dependent on product specifications and the packaging machine.  
Guarding may be removed in some images for demonstration purposes.

# DRAKE COLLATOR STYLE AUTOLOADER

## MODEL CS-1800

The Drake Model CS-1800 autoloader is our most popular and versatile collator style, high-speed, open channel frankfurter loader.

This collator style loader is made with a unique, state-of-the-art handling method that minimizes recirculation of product by using a first-in, first-out system.

The unit can handle up to 1,800 pieces per minute of a 127mm (5 inches) long product and has a 98% fill rate. The CS-1800 is able to load frankfurters that are cooked or chilled and can handle skinless or skin-on products.

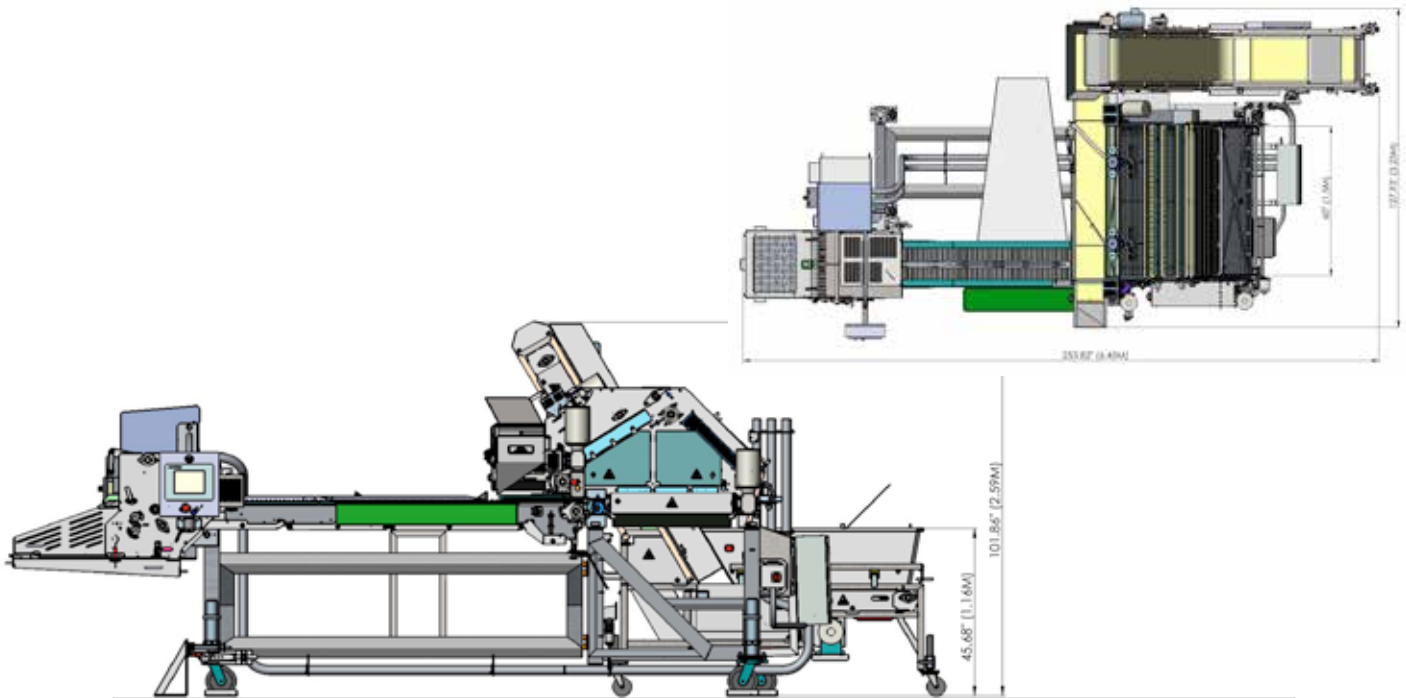
Drake's Model CS-1800 autoloader processes

frankfurters from 12mm to 32mm in diameter and from 76mm (3 inches) to 300mm (12 inches) in length.

The CS-1800 is exceptionally durable. The intermediate conveyor inspection flights are made of rugged stainless steel, as is most of the machine, making it the toughest loader on the market.

All Drake autoloaders feature touch screen controls, allowing for easy addition of new recipes and rapid adjustment to various areas of the loader.

All Drake loaders are proudly made in the USA.



**Drake Model CS-1800 Loader Specifications**

Voltage	Noise Level	Water (optional)	Air	In-Line	90°
208-240 V or 380-480 V 50 or 60 Hz, 3PH Fuse: 30A	≤ 90 dB (A)	8 GPM (30 LPM)	80 PSI (5.62 kgf/ cm <sup>2</sup> )	